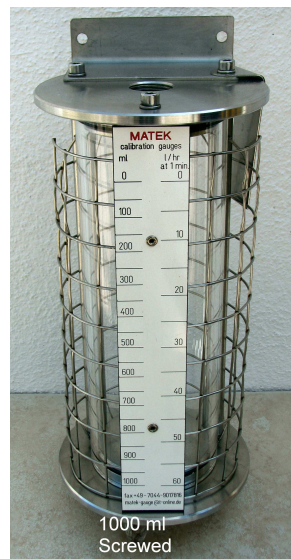
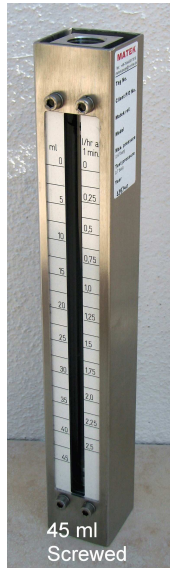


FOR CORRECT PUMPSETTING, EASY FAULTFINDING AND REDUCION OF OPERATIONAL COSTS



Matek unique features

1. Designed for the oil- and gas industry, meeting today's user and contractor's document requirements.
2. Stressed relieved borosilicate glass is used instead of plastic materials, providing clear visibility at all times without the risk of chemical or environmental attack.
3. Radial glass sealing, securing positive and a stress free sealing over a wide temperature range.
4. All SS 316 metals (wetted and non wetted), making the instrument suited to be installed on (petro) chemical plants and offshore installations.
5. Robust glass protection for mechanical impact.
6. Dual scale indication for easy volumetric and capacity read-out.
7. The widest range. Calibration gauges with volumes of 2,5 ml (160 ml/hr) to 40L (2,4 m³/hr)

Type designation

SS - V - 500 - N - N - GPH - R			
<u>Material wetted parts</u> SS = ss316 XX = other	<u>Volume in ml</u> 2,5 , 5,5, 9, 20, 45, 100, 220, 500, 1000, 2200, 4000, 9000 or liters e.g. 10L, 20L	<u>Top connection</u> N = NPTF (standard) F = welded flange 150#	<u>Measurement style</u> no prefix = while emptying (standard) R = while filling
<u>Material sealing</u> V = Viton / FKM (standard) E = EPDM B = Buna N / NBR P = PFTE	<u>Bottom connection</u> N = NPTF (standard) F = welded flange 150#	<u>Scales (volumetric-capacity)</u> no prefix = ml - l/hr (standard) GPH = ml - USGPH GPD = ml - USGPD	

MATEK

CALIBRATION POTS

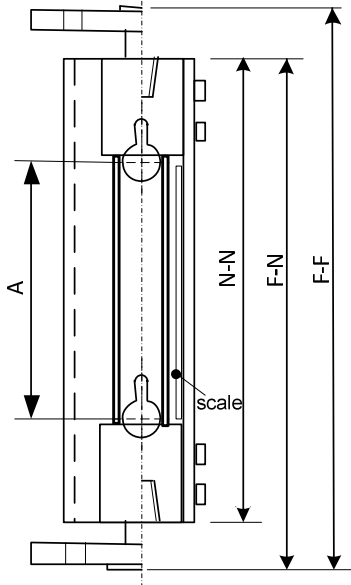
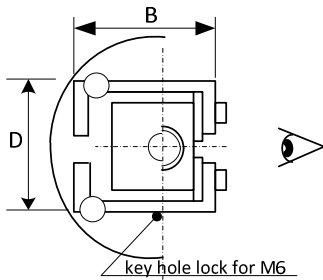


Figure 1

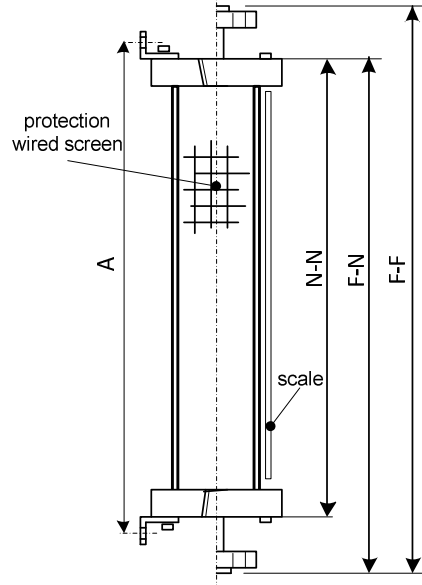
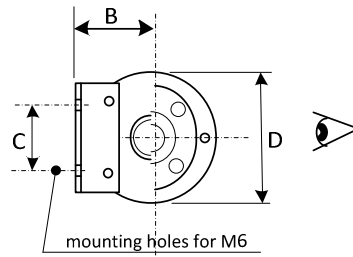


Figure 2

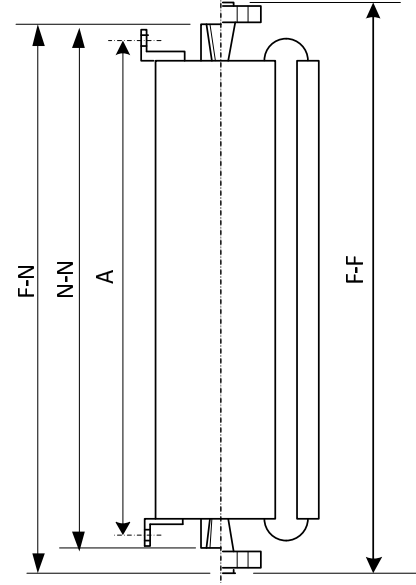
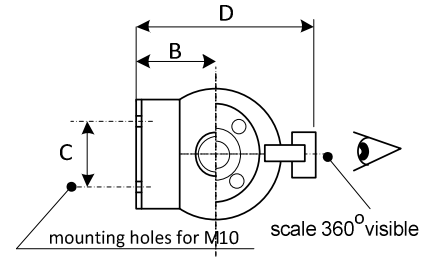


Figure 3

Model	Capacity scale Range (division)	Volume scale Range (division)	Connection screwed (N)	Connection flanged (F)	Figure	N-N mm	F-N mm	F-F mm	A mm	B mm	C mm	D mm	Wght kg
SS-x- 2,5-*.x	0 - 160 ml/hr (10)	0 - 2,6 ml (0,2)	1/2" NPT	1/2" 150#	1	323	372	422	-	45	-	55	0,9
SS-x- 5,5-*.x	0 - 340 ml/hr (10)	0 - 5,6 ml (0,2)	1/2" NPT	1/2" 150#	1	573	623	672	-	45	-	55	1,3
SS-x- 9-*.x	0 - 0,55 l/hr (0,025)	0 - 9,0 ml (0,5)	1/2" NPT	1/2" 150#	1	323	372	422	-	45	-	55	1,0
SS-x- 20-*.x	0 - 1,2 l/hr (0,025)	0 - 20 ml (0,5)	1/2" NPT	1/2" 150#	1	573	623	672	-	45	-	55	1,4
SS-x- 45-*.x	0 - 2,7 l/hr (0,125)	0 - 45 ml (2,5)	1/2" NPT	1/2" 150#	1	323	372	422	-	45	-	55	1,0
SS-x- 100-*.x	0 - 6,0 l/hr (0,125)	0 - 100 ml (2,5)	1/2" NPT	1/2" 150#	1	573	623	672	-	45	-	55	1,4
SS-x- 220-*.x	0 - 13 l/hr (1)	0 - 220 ml (10)	1/2" NPT	1/2" 150#	1	323	372	422	-	60	-	68	1,9
SS-x- 500-*.x	0 - 30 l/hr (1)	0 - 500 ml (10)	1/2" NPT	1/2" 150#	1	573	623	672	-	60	-	68	2,5
SS-x-1000-*.x	0 - 60 l/hr (5)	0 - 1.000 ml (50)	3/4" NPT	3/4" 150#	2	265	318	371	299	74	90	ø135	3,7
SS-x-2200-*.x	0 - 135 l/hr (5)	0 - 2.200 ml (50)	3/4" NPT	3/4" 150#	2	515	568	622	550	74	90	ø135	4,9
SS-x-4000-*.x	0 - 240 l/hr (20)	0 - 4.000 ml (200)	1" NPT	1" 150#	2	265	321	378	299	110	159	ø210	9,3
SS-x- 10L-*.x	0 - 600 l/hr (25)	0 - 10 L (0,5)	1" NPT	1" 150#	3	316	372	428	300	142	80	325	10
SS-x- 22L-F-F	0 - 1.350 l/hr (25)	0 - 22,5 L (0,5)	-	1-1/2" 150#	3	-	-	630	550	142	80	325	14
SS-x- 40L-F-F	0 - 2.400 l/hr (80)	0 - 40 L (1)	-	2" 150#	3	-	-	692	610	155	80	418	18

Notes :

- 1) * - * defines the bottom – top connections. e.g. F – N is for a flanged bottom connection and a screwed top connection.
- 2) x indicates the seal material. V=Viton (standard), E=EPDM, B=Buna